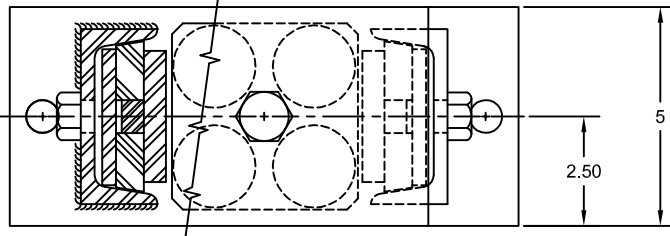
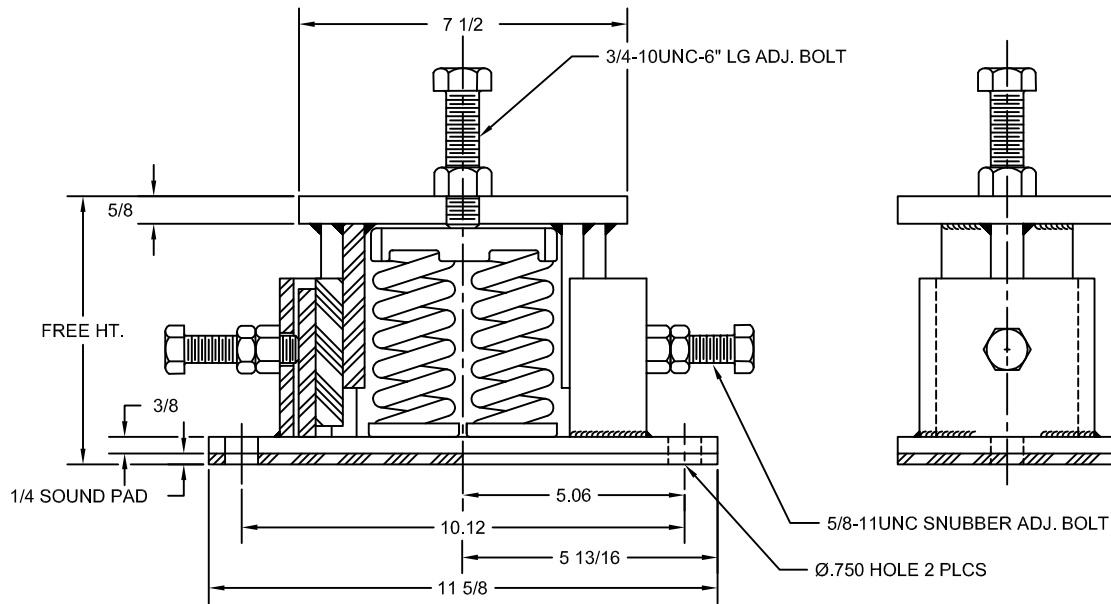


123R-103942 REV: 1

REV.	DESCRIPTION	DATE	BY



PART NUMBER	ISOLATOR MODEL	MAX. STEADY (LBS)	MAX. IMPACT (LBS)	ISOLATOR CONSTANT (LBS)	MIN. FREE HEIGHT	COLOR CODE
606510-50	SKEY-50	200	▲	100	6 1/4	YELLOW
606510-51	SKEY-51	500	▲	250		ORANGE
606510-52	SKEY-52	800	▲	480		BROWN
606510-53	SKEY-53	1200	▲	760		BLACK
606510-54	SKEY-54	2000	▲	1380		GREEN
606510-55	SKEY-55	2,800	▲	2240		BLUE
606510-56	SKEY-56	4800	▲	6600	5 1/4	PURPLE
606510-45	SKEY-45	1300	1040	1760		BROWN
606510-46	SKEY-46	1800	1440	3200		RED
606510-47	SKEY-47	2400	1920	4900		PRUPLE
606510-57	SKEY-57	4400	3300	8520		BLUE
606510-68	SKEY-68	5200	4900	10600		GREEN



NOTES:

1. ▲ CURRENTLY UNDER ENGINEERING REVIEW.
2. MINIMUM OPERATING HEIGHT IS 5 1/8", OR FREE HEIGHT MINUS SPRING DEFLECTION,WHICHEVER IS GREATER.
4. ALL DIMENSIONS IN INCHES. INTERPRET PER ANSI Y14.
5. STANDARD FINISH:
  - A. ONE COAT STANDARD VMC COLOR
  - B. SPRING: POWDER COATED
  - C. HARDWARE: ELECTRO-ZINC PLATED
6. EST. UNIT WT: 45 LBS

OTHER MATERIALS, COMPOUNDS, OR FINISHES WITH EQUAL OR SUPERIOR PROPERTIES MAY BE SUBSTITUTED AS THEY BECOME AVAILABLE.

**CERTIFIED FOR:**

JOB NAME: \_\_\_\_\_  
 CUSTOMER : \_\_\_\_\_  
 CUSTOMER P.O.: \_\_\_\_\_  
 SALES ORDER: \_\_\_\_\_

**MODEL SKEY 200-5200 LBS. SPRING ISOLATOR WITH ADJUSTABLE SNUBBER**



**THE VMC GROUP**  
*The Power of Together*  
 Bloomingdale, NJ 07403  
 Houston, TX 77041

SCALE :

NONE

SHEET:



DRAWING NO.:

REVISION